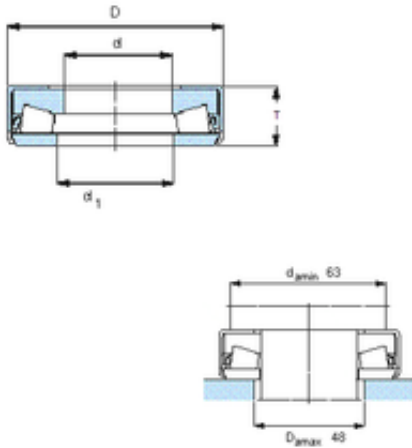


# Produit composite portant CORP.

## SKF 353118 But é es à rouleaux cylindriques



Bearing No. 353118

Size	45.1x74x20 mm
Bore Diameter	45,1 mm
Outer Diameter	74 mm
Width	20 mm
d	45,1 mm
d1	45,4 mm
D	74 mm
T	20 mm
Category	Roller Bearings
Inventory	0.0
Manufacturer Name	SKF
Minimum Buy Quantity	N/A
Weight / Kilogram	0.349
Product Group	B04334

353118 Bearing 2D drawings and 3D CAD models