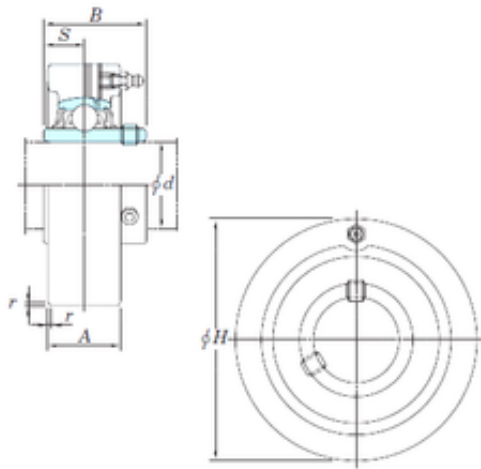


Produit composite portant CORP.



UCC306 Bearing 2D drawings and 3D CAD models

KOYO UCC306 unit é s de roulement

Bearing No. UCC306

Bore Diameter	30 mm
Width	43 mm
d	30 mm
r	2 mm
A	28 mm
B	43 mm
H	100 mm
S	17 mm
Weight	1,7 Kg
Basic dynamic load rating (C)	26,7 kN
Basic static load rating (C0)	15 kN
Bearing No.	UCC306
Cr	26.7
C0r	15.0
f0	13.3
(Refer.)Unit mass(kg)	1.7
Nipple size	1/4-28UNF