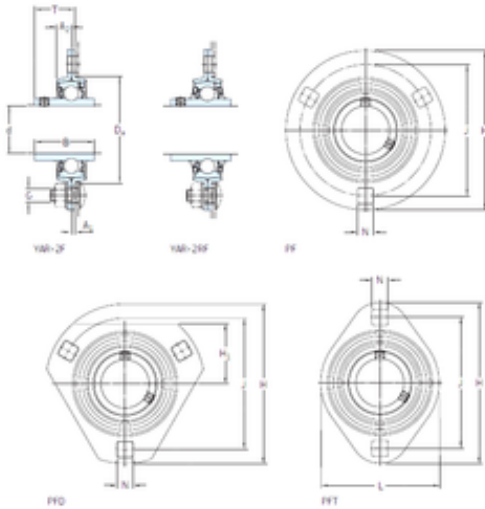


# Produit composite portant CORP.



PFD 30 TR Bearing 2D drawings and 3D CAD models

## SKF PFD 30 TR unit é s de roulement

Bearing No. PFD 30 TR

Bore Diameter	30 mm
Width	38,1 mm
d	30 mm
Da	71 mm
A1	2,5 mm
B	38,1 mm
G	10 mm
H	112 mm
H1	38 mm
J	90,5 mm
L	–
N	10,5 mm
T	24,7 mm
A2	9,5 mm
Weight	0,47 Kg
Basic dynamic load rating (C)	19,5 kN
Basic static load rating (C0)	11,2 kN
Housing material	Pressed steel
A <sub>1</sub>	2.5 mm
A <sub>2</sub>	9.5 mm
B <sub>4</sub>	5 mm
D <sub>a</sub> min.	67 mm
H <sub>1</sub>	38 mm
s <sub>1</sub>	22.2 mm
Basic dynamic load rating C	19.5 kN
Basic static load rating C <sub>0</sub>	11.2 kN



## Produit composite portant CORP.

Fatigue load limit $P_u$	0.475 kN
Permissible radial housing load max.	5 kN
Mass unit	0.46 kg
Thread grub screw $G_2$	M6x0.75
Hexagonal key size for grub screw N	3 mm
Recommended tightening torque for grub screw	4 N · m
Recommended diameter for attachment bolts, mm G	10 mm
Recommended diameter for attachment bolts, inch G	0.375 in