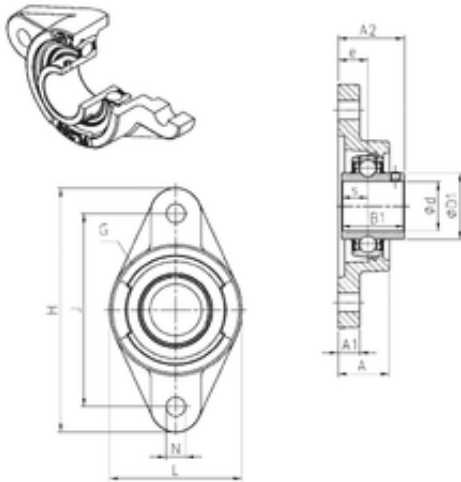


Produit composite portant CORP.



SNR UCFL218 unit é s de roulement

Bearing No. UCFL218

Bore Diameter	90 mm
d	90 mm
e	40 mm
s	39,7 mm
A	68 mm
A1	23 mm
B1	96 mm
D1	111 mm
H	320 mm
J	265 mm
L	205 mm
N	25 mm
Thread (G)	M10x1
A2	96,3 mm
Weight	10,9 Kg
Basic dynamic load rating (C)	96 kN

UCFL218 Bearing 2D drawings and 3D CAD models