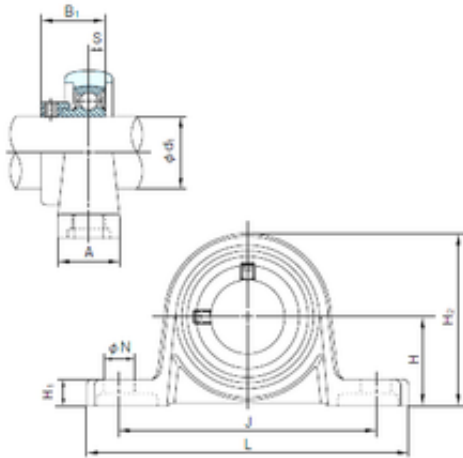


NACHI MUP006 unit é s de roulement



Bearing No. MUP006

Bore Diameter	30 mm
Width	36 mm
d	30 mm
A	26 mm
B1	26.5 mm
H	36 mm
H1	11 mm
H2	70 mm
J	106 mm
L	132 mm
N	13 mm
S	6.5 mm
Bolt (G)	M10

MUP006 Bearing 2D drawings and 3D CAD models