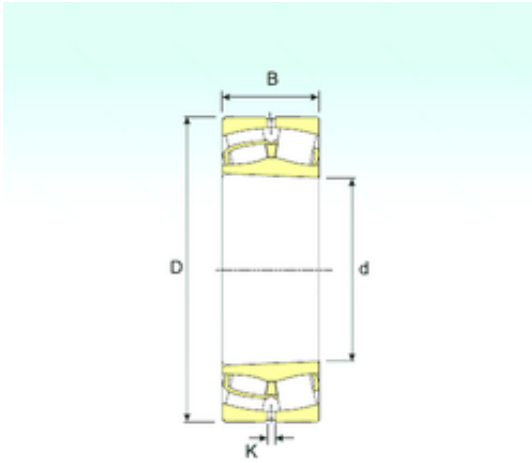


Produit composite portant CORP.



1000 mm x 1420 mm x 412 mm ISB 240/1000
K30 roulements à rouleaux sphériques

Bearing No. 240/1000 K30

Size	1000x1420x412 mm
Bore Diameter	1000 mm
Outer Diameter	1420 mm
Width	412 mm
d	1000 mm
D	1420 mm
B	412 mm
C	412 mm
K	12 mm
Weight	2140 Kg
Basic dynamic load rating (C)	15092 kN
Basic static load rating (C0)	39690 kN
(Grease) Lubrication Speed	214,2 r/min

240/1000 K30 Bearing 2D drawings and 3D CAD models